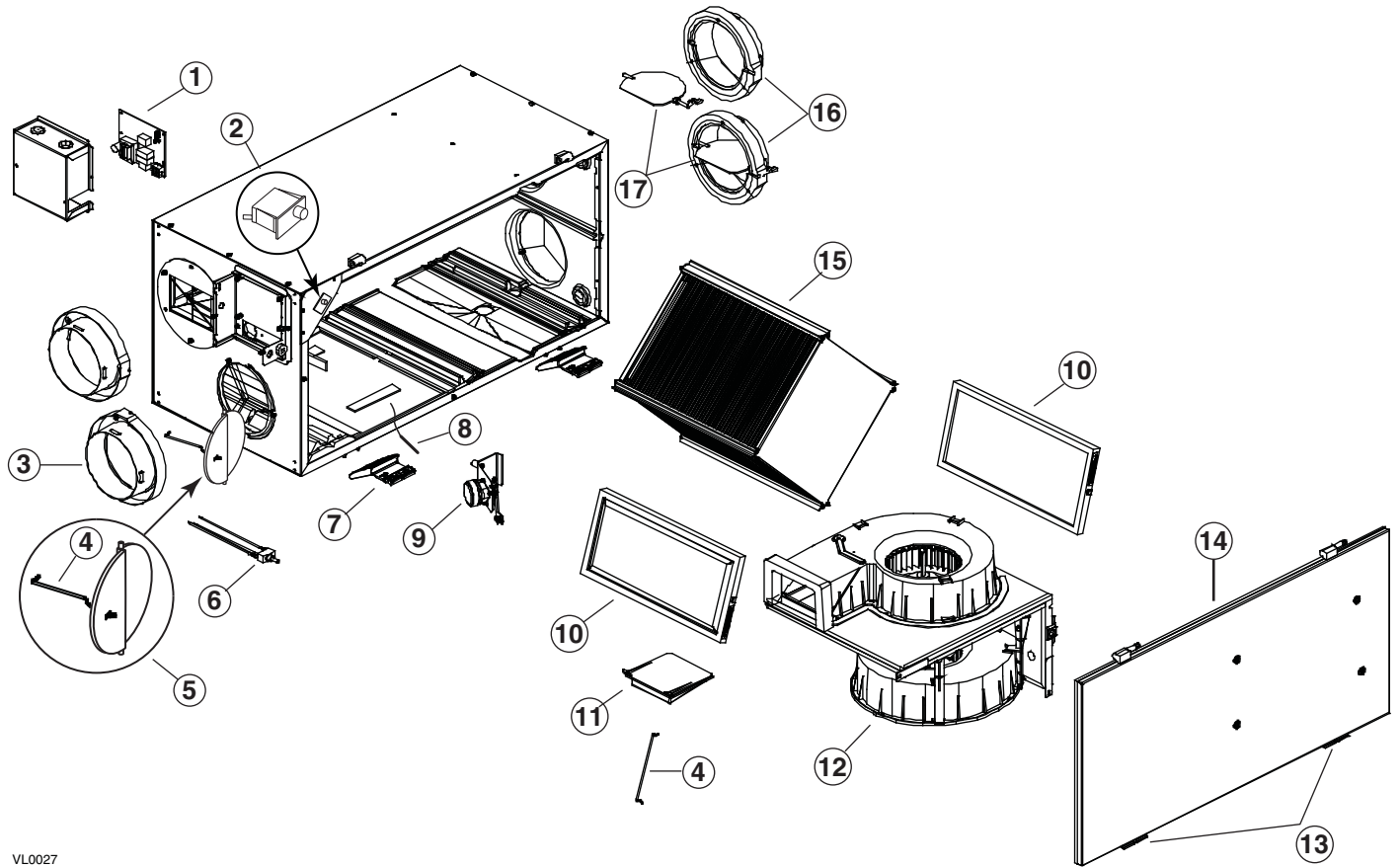


1. SERVICE

1.1 3D DRAWING



VL0027

1.2 SERVICE PARTS ORDERING CHART

| No. | Description | CONSTRUCTO 1.5 QUATTRO | CONSTRUCTO 2.0 QUATTRO |
|-----|----------------------------------|------------------------|------------------------|
| | | 43115 | 45115 |
| 1 | Electronic Board & Spacers (kit) | 16585 | 16585 |
| 2 | Door Switch (SPST), E69 10A | 01825 | 01825 |
| 3 | Double Collar Port No. 2 | 02257 | 02257 |
| 4 | Damper Rod (kit) | 13037 | 13037 |
| 5 | Damper No. 1 (kit) | 12454 | 12454 |
| 6 | Switch | 12664 | 12664 |
| 7 | Door Latches & Screws | 00886 (2) 00601 (4) | 00886 (2) 00601 (4) |
| 8 | Thermistor (kit) | 12895 | 12895 |
| 9 | Damper Actuator Assembly | 13734 | 13734 |
| 10 | Basic Filter | 02300 | 02300 |
| 11 | Square Damper (kit) | 13033 | 13033 |
| 12 | Blower Assembly | 16580 | 16581 |
| 13 | Door Latches (Keeper) & Screws | 00887 (2) 00601 (4) | 00887 (2) 00601 (4) |
| 14 | Door Assembly (including 13) | 16584 | 16584 |
| 15 | Energy Recovery Core | 16582 | 16582 |
| 16 | Balancing Double Collar Port | 02256 | 02256 |
| 17 | Balancing Damper | 02253 | 02253 |

Please take note that parts not listed are not available; those parts require assembly knowledge that only manufacturer can guarantee.

TO ORDER PARTS: CONTACT YOUR LOCAL DISTRIBUTOR.