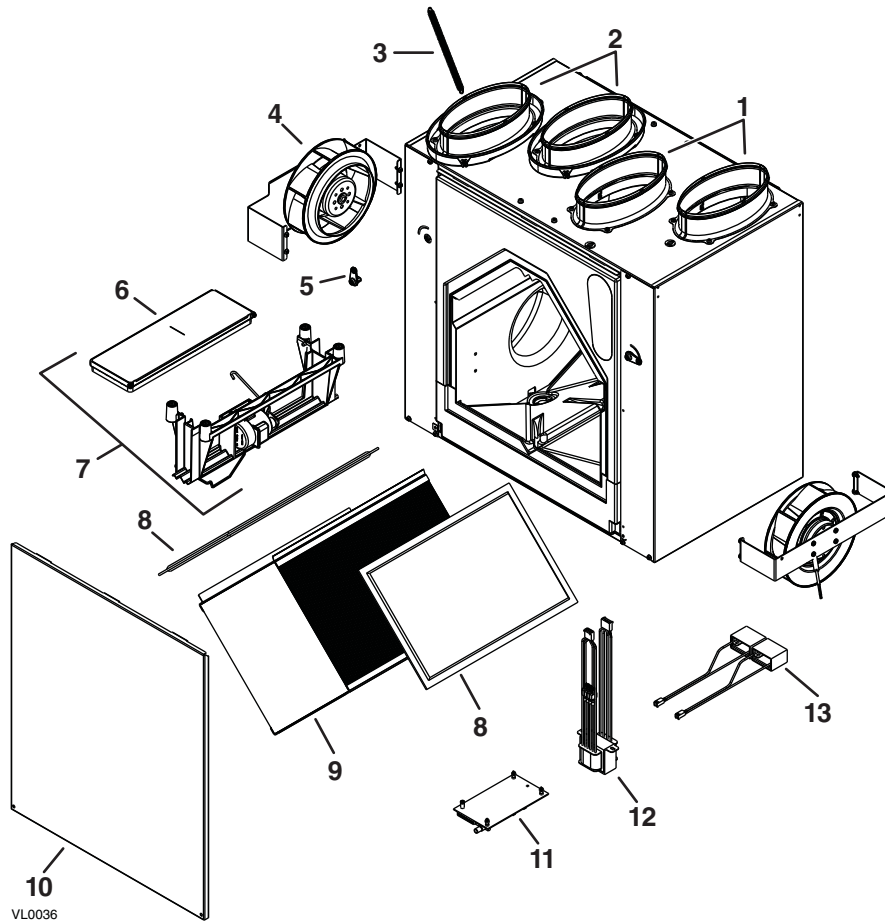


1. SERVICE

1.1 SERVICE PARTS



No.	DESCRIPTION	NOVOFIT 1.0	60H Novo+	QTY.
1	OVAL PORT	18206	18206	2
2	DOUBLE COLLAR OVAL PORT	18207	18207	2
3	EXHAUST DAMPER SPRING	18221	18221	1
4	MOTOR ASSEMBLY	18197	18197	2
5	BALANCING TOOL	18220	18220	2
6	DEFROST DAMPER	18200	18200	1
7	DAMPER SYSTEM ASSEMBLY (INCLUDING NO. 6)	18199	18199	1
8	CORE FILTER	18204	18204	2
9	HEAT RECOVERY CORE	18203	18203	1
10	DOOR ASSEMBLY	18209	18208	1
11	PCB	18212	18212	1
12	TRANSFORMER	18219	18219	1
13	CAPACITOR 5 µF	16042	16042	2
14	THERMISTOR KIT (NOT SHOWN)	15749	15749	1

Please note that parts not listed are not available; those parts require assembly knowledge that only manufacturer can guarantee.

REPLACEMENT PARTS AND REPAIR

In order to ensure your ventilation unit remains in good working condition, you must use the manufacturer genuine replacement parts only. The manufacturer replacement parts are specially designed for each unit and are manufactured to comply with all the applicable certification standards and maintain a high standard of safety. Any third party replacement part used may cause serious damage and drastically reduce the performance level of your unit, which will result in premature failing. The manufacturer recommends to contact a certified service depot for all replacement parts and repairs.