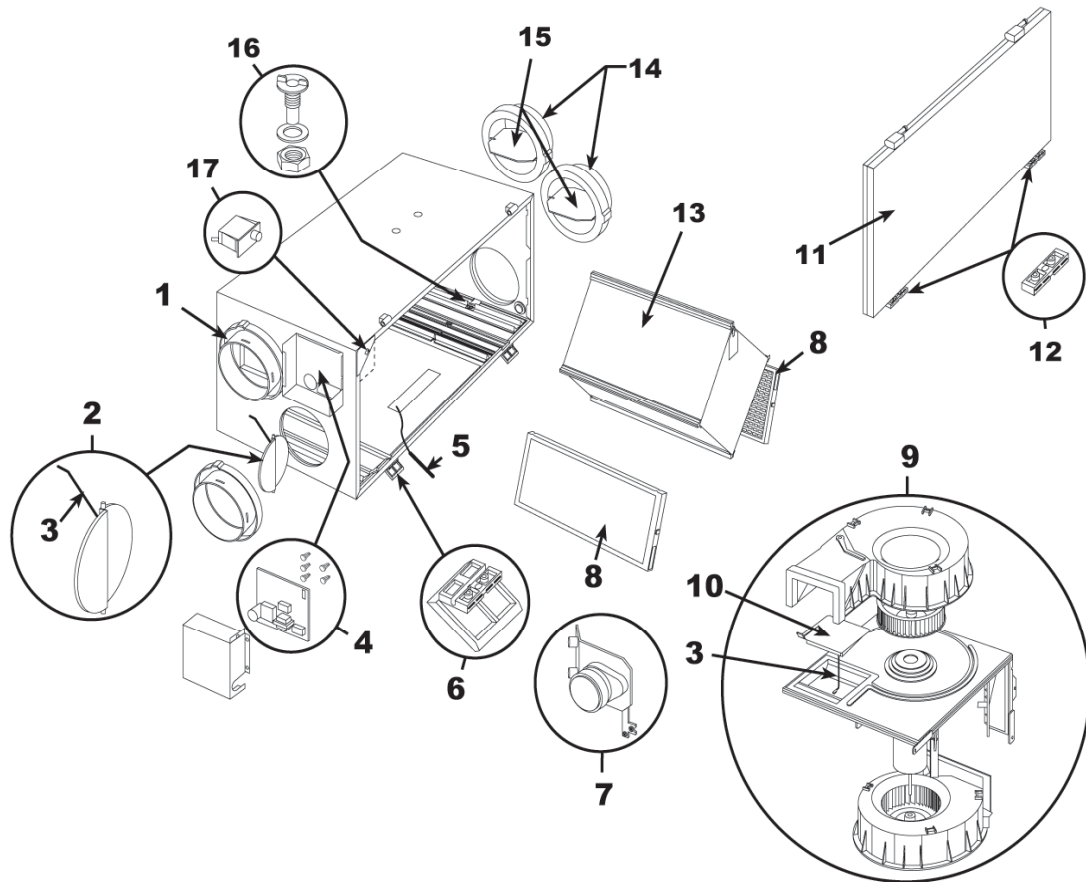


3D DRAWINGS AND SERVICE PARTS - RESIDENTIAL UNITS

BRONZE SERIES - 90H & 190H (Series: 7R..., 9R..., 7S... & 9S... only)



Note: In order to ensure your ventilation unit remains in good working condition, you must use vänEE genuine replacement parts only. vänEE genuine replacement parts are specially designed for each unit and are manufactured to comply with all the applicable certification standards and maintain a high standard of safety. Any third party replacement part used may cause serious damage and drastically reduce the performance level of your unit, which will result in premature failing. vänEE also recommends to contact a vänEE certified service depot for all replacement parts and repairs.

BRONZE SERIES - 90H & 190H (Series: 7R..., 9R..., 7S... & 9S... only)

Service Parts

No.	Part Number	Description	90H	190H
1	02257	Double collar port 6" Ø	x	x
2	12454	Damper no. 1 (kit)	x	x
3	13037	Damper rod (kit)	x	x
4	13029	Circuit board	x 7R30 to 7R42	x 7S30 to 7S42
	13034		x 7R4398... and up 9R3098... and up	x 7S4398... and up 9S3098... and up
5	12895	Thermistor (kit)	x	x
6	05960	Door latch (2 required)	x	x
7	13734	Damper actuator assembly	x	x
8	02349	Filter 15.5" x 8.5" x 0.75"	x see *	x see *
	02300		x see *	x see *
9	12908	Motor assembly	x	
	12912			x
10	13033	Square damper (kit)	x 9R...+	x 9S...+
	61248		x 7N...+ 7R...+	x 7N...+ 7S...+
11	12350	Door assembly	x	x
12	00887	Door latch (2 required)	x	x
13	02507	Heat Recovery Core	x 7R3195... and up	x 7S3195... and up
	03322		x 9R3098... and up	x 9S3098... and up
14	02256	Balancing double collar port	x	x
15	02253	Balancing damper	x	x
16	03203	Drain connector (kit)	x	x
17	01825	Door switch E69 10A	x	x
-	04840	Installation kit (not shown)	x	x

* **FOR SERIAL NUMBERS FROM 7R30 TO 7R39 AND 7S30 TO 7S39:
1 filter 02300 and 1 filter 02349**

**FOR SERIAL NUMBERS FROM 7R40... +, 9R30... + AND 7S40...+, 9S30... +:
2 filters 02300**

**FOR UNITS WITH SERIAL NUMBERS BEGINNING WITH CR OR CS:
Please refer to pages 32 and 33.**