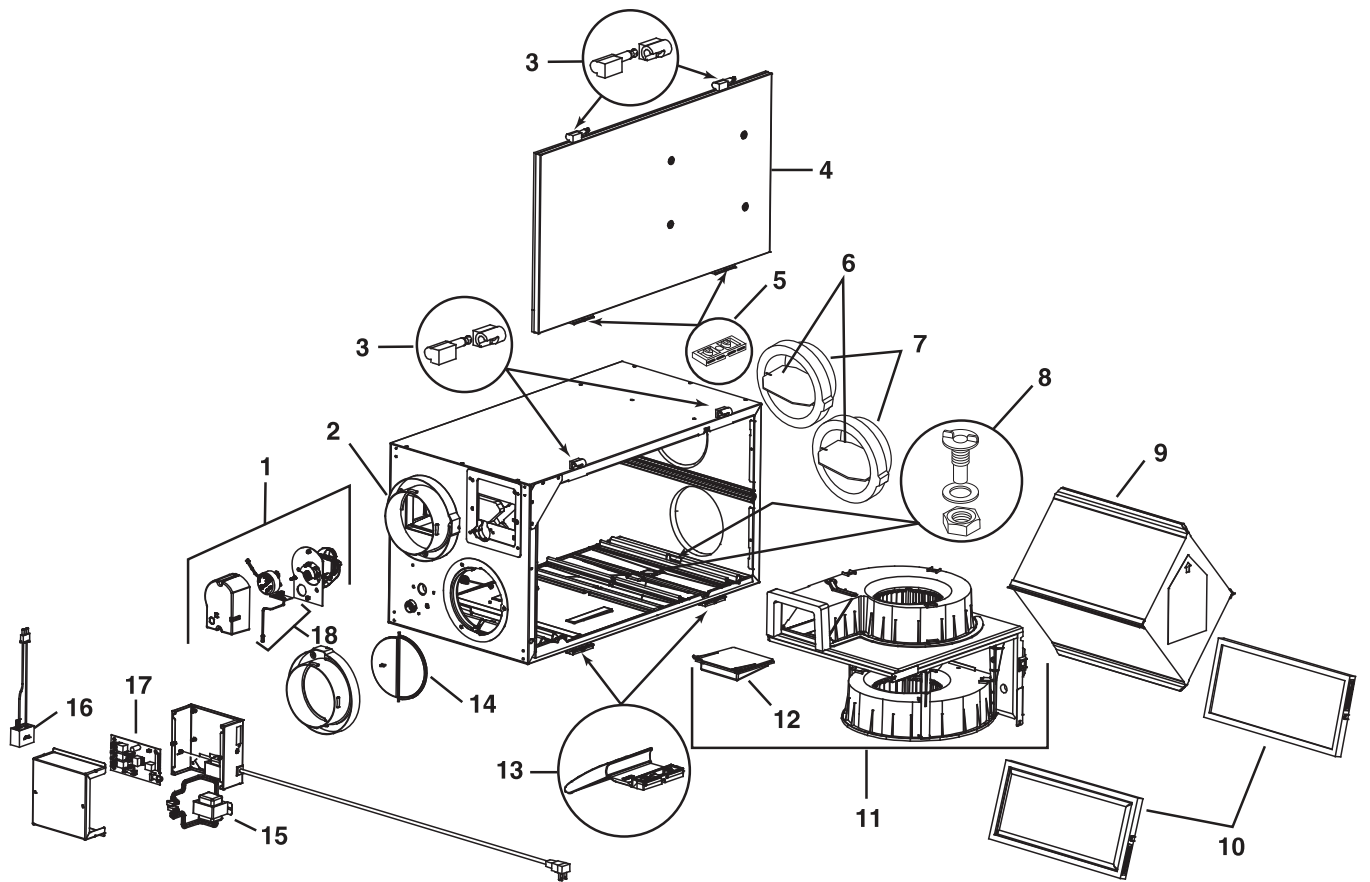


3D DRAWINGS AND SERVICE PARTS - RESIDENTIAL UNITS

BRONZE SERIES - 90H & 190H (Series: CR... & CS... only)



BRONZE SERIES - 90H & 190H (Series: CR... & CS... only)

Service Parts

No.	Part Number	Description	vănEE 90H	vănEE 190H
1	17235	Motorized damper actuator kit (including no. 18)	x	x
2	02257	Double collar port (2)	x	x
3	13036	Hinge kit	x	x
4	12350	Door assembly (including nos. 3 and 5)	x	x
5	00887	Door latch (2 required)	x	x
6	02253	Balancing damper (2)	x	x
7	02256	Balancing collar port (2)	x	x
8	03203	Drain connector kit	x	x
9	03322	Heat recovery core	x	x
10	02300	Filter	x	x
11	17236	Blower Assembly (including no. 12)	x	
	17237			x
12	17243	Square Damper kit	x	x
13	05960	Door Latch (2 required)	x	x
14	17245	Damper no. 1 (kit)	x	x
15	17244	Transformer	x	x
16	17240	Capacitor 7,5 µF	x	x
17	60809	Circuit board	x	x
18	17242	Thermistor kit	x	x
-	06303	Hardware kit (not shown)	x	x
-	16416	PCB connector (not shown)	x	x

Note: In order to ensure your ventilation unit remains in good working condition, you must use vänEE genuine replacement parts only. vänEE genuine replacement parts are specially designed for each unit and are manufactured to comply with all the applicable certification standards and maintain a high standard of safety. Any third party replacement part used may cause serious damage and drastically reduce the performance level of your unit, which will result in premature failing. vänEE also recommends to contact a vänEE certified service depot for all replacement parts and repairs.