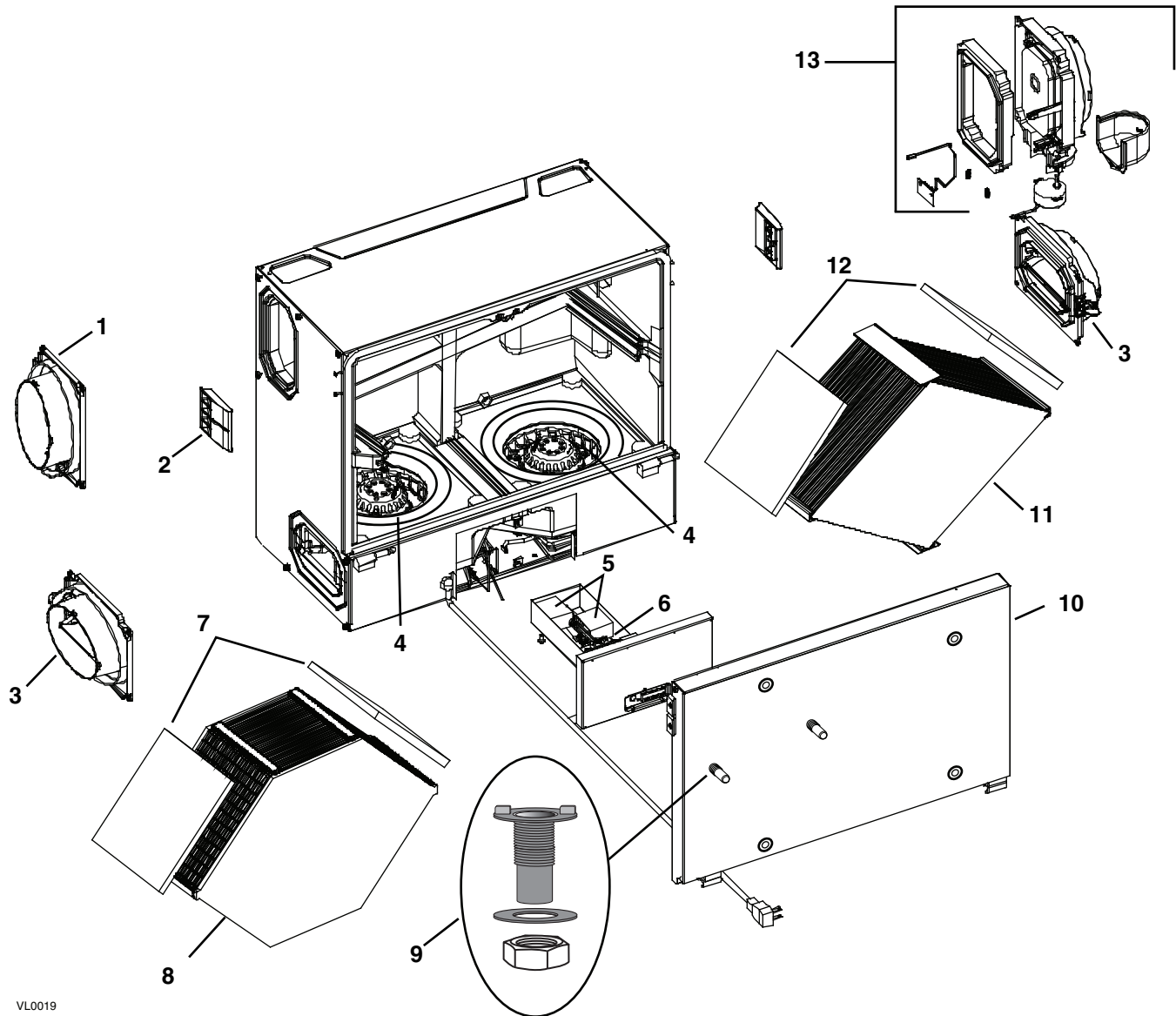


8. SERVICE PARTS



VL0019

REF. No.	DESCRIPTION	PART NUMBER	41600 HRV PORTS ON SIDES	41602 HRV PORTS ON TOP	41604 ERV PORTS ON SIDES	41606 ERV PORTS ON TOP
1	OVAL PORT (FITS 5" DIAMETER DUCTS)	16040	1	1	1	1
2	DOOR LATCH WITH SCREWS	16035	2	2	2	2
3	OVAL PORT WITH INTEGRATED BALANCING DAMPER	16041	2	2	2	2
4	MOTOR & WHEEL ASSEMBLY (MOTOR CAPACITOR AND INLET RING INCLUDED)	16024	2	2	2	2
5	CAPACITOR 3 μ F** (2) CAPACITOR 5 μ F** (2) CAPACITOR 7 μ F ** (2)	17024 16042 16027	1	1	1	1
6	ELECTRONIC BOARD	16038	1	1	1	1
7	ERV FOAM FILTER	16031	N/A	N/A	2	2
8	ERV CORE (WITH 2 FILTERS)	16033	N/A	N/A	1	1
9	DRAIN CONNECTOR KIT	03203	1	1	N/A	N/A
10	DOOR ASSEMBLY	16095	1	1	1	1
11	HRV CORE (WITH 2 FILTERS)	16034	1	1	N/A	N/A
12	HRV FOAM FILTER	16032	2	2	N/A	N/A
13	MOTORIZED DAMPER PORT ASSEMBLY	16029	1	1	1	1
14*	TRANSFORMER	16039	1	1	1	1

* PART NOT SHOWN.

** ENSURE TO VERIFY THE CAPACITOR VALUE (SHOWN ON LABEL) BEFORE ORDERING.