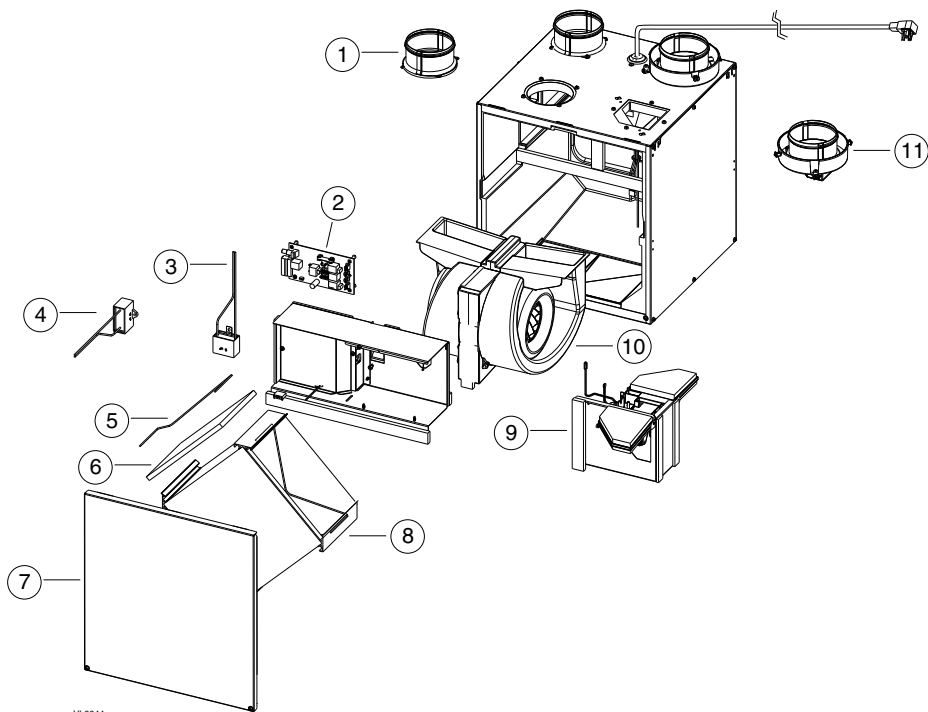


6. SERVICE PARTS



VL0044

No.	DESCRIPTION	QTY.	KUBIX™ HRV	VIGÖR™ HRV
1	4" ROUND METAL PORT	2	18854	18854
2	ELECTRONIC BOARD	1	19205	19205
3	CAPACITOR 5 μ F	1	16042	16042
4	CAPACITOR 13 μ F	1	19210	19210
5	FILTER RETAINING WIRE (PAIR)	1	19208	19208
6	CORE FILTERS (PAIR)	1	18883	18883
7	DOOR ASSEMBLY	1	19202	19204
8	HEAT RECOVERY CORE	1	18884	18884
9	DAMPER SYSTEM ASSEMBLY	1	18882	18882
10	BLOWER ASSEMBLY	1	18867	18867
11	4" PORT WITH PLASTIC COLLAR	2	18866	18866
12	HARDWARE KIT (NOT ILLUSTRATED)	1	19214	19214

REPLACEMENT PARTS AND REPAIR:

In order to ensure your ventilation unit remains in good working condition, you must use the manufacturer genuine replacement parts only. The manufacturer replacement parts are specially designed for each unit and are manufactured to comply with all the applicable certification standards and maintain a high standard of safety. Any third party replacement part used may cause serious damage and drastically reduce the performance level of your unit, which will result in premature failing. The manufacturer recommends to contact a certified service depot for all replacement parts and repair.